

Test Report

for 1.0~8.0GHz Broadband Horn Antenna



Model: HXATBDH1080A

Chengdu HAIKIN MICROWAVE Technology Co., Ltd

Add: Chengdu 610091, China

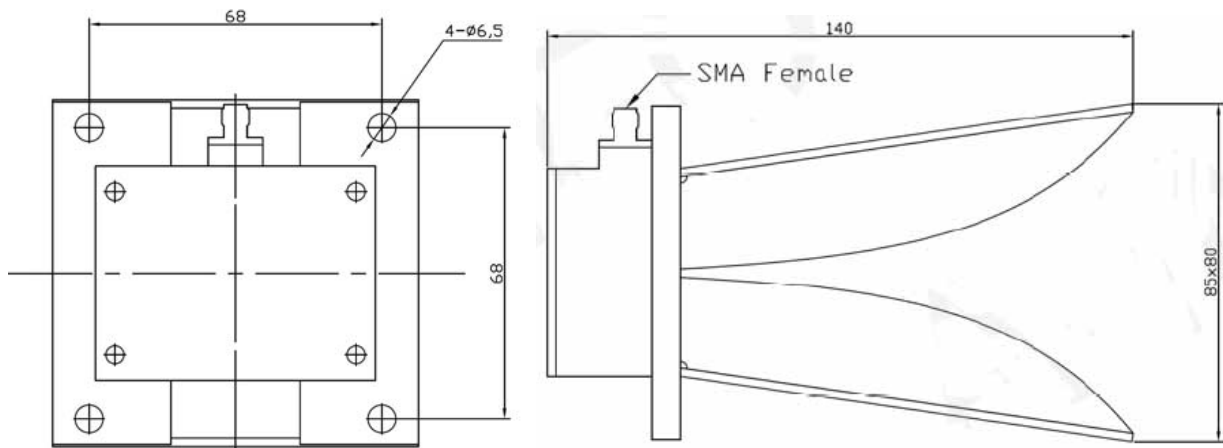
Tel: +86-28-87089208

Website: www.hxmicrowave.com

Fax: +86-28-87089208

Email: sale@hxmicrowave.com

Outline Drawing (Size: mm)



Technical Specification

Frequency Rang	VSWR	Gain	Connector	Size
1.0~8.0GHz	2.5:1	6dBi	N-Female	85mm×80mm×140mm

Test Instruments

Agilent 83630B
 HP8563E
 HP8720D

Test Results

1. Gain



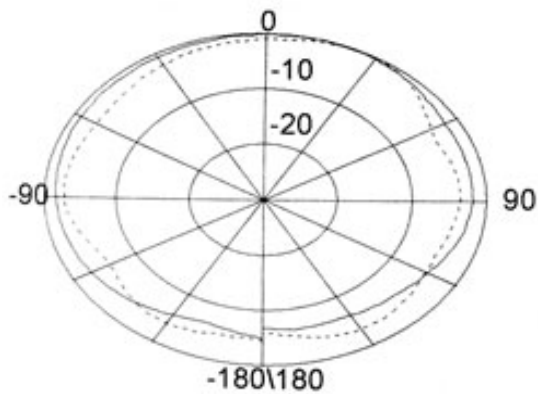
Frequency (GHz)	1.0	2.0	4.0	6.0	8.0
Gain (dBi)	-2	2.2	9.0	9.5	11

2. Pattern

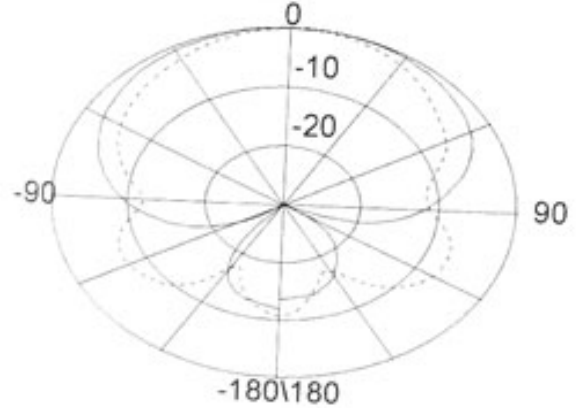
E Plane- - - - -

H Plane- - - - -

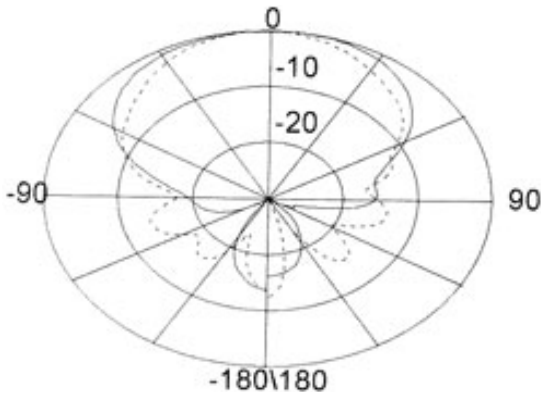
1000MHz(120° /120°)



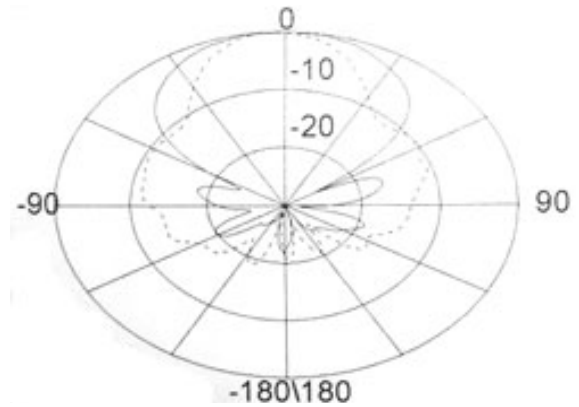
2000MHz(78° /123°)



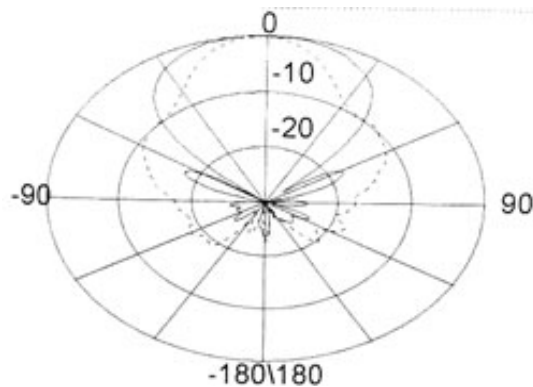
3000MHz(63° /91°)



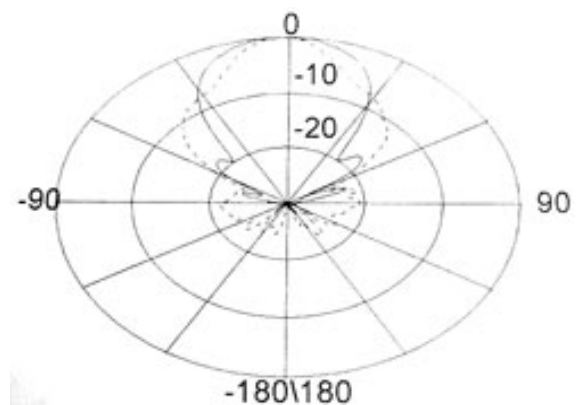
5000MHz(37° /65°)



6000MHz(33° /60°)



8000MHz(27° /43°)



Chengdu HAXIN MICROWAVE Technology Co., Ltd

Add: Chengdu 610091, China

Tel: +86-28-87089208

Website: www.hxmwave.com

Fax: +86-28-87089208

Email: sale@hxmwave.com